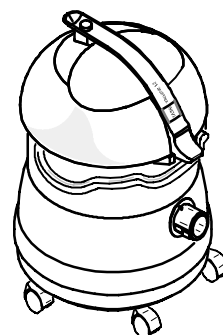


# TASKI

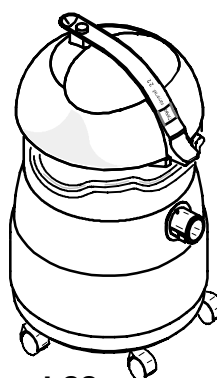
## Ersatzteilliste Liste des pièces de rechange Spare parts list

### TASKI vacumat 12 TASKI vacumat 22 TASKI vacumat 22T

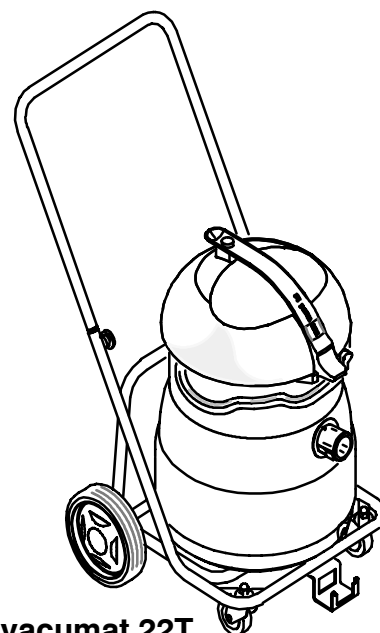
TASKI VACUMAT 12,22,22T				
Artikel/article				
Prod. CH	.	.	.	Serie
8003370	SEV	S.6.3 /12	230V/50HZ	01
8003380	EURO	S.6.3 /12	230V/50HZ	01
8003390	CSA	S.6.3C /12	120V/60HZ	01
8004110	UK	S.6.3 /12	240V/50HZ	01
8004260	SEV	S.6.3 /22	230V/50HZ	01
8004270	EURO	S.6.3 /22	230V/50HZ	01
8004290	CSA	S.6.3C /22	120V/60HZ	01
7510805	CSA	S.6.3C /22T	120V/60HZ	01
8004550	SEV	S.6.3 /22T	230V/50HZ	01
8004560	EURO	S.6.3 /22T	230V/50HZ	01
8004561	EURO	S.6.3 /22T	230V/50HZ	01
8004570	UK	S.6.3 /22T	240V/50HZ	01



vacumat 12



vacumat 22



vacumat 22T



JohnsonDiversey

**JohnsonDiversey Schweiz**  
Postfach CH-9542 Münchwilen  
Telefon +41 71 969 27 27 Fax 41 71 969 22 53

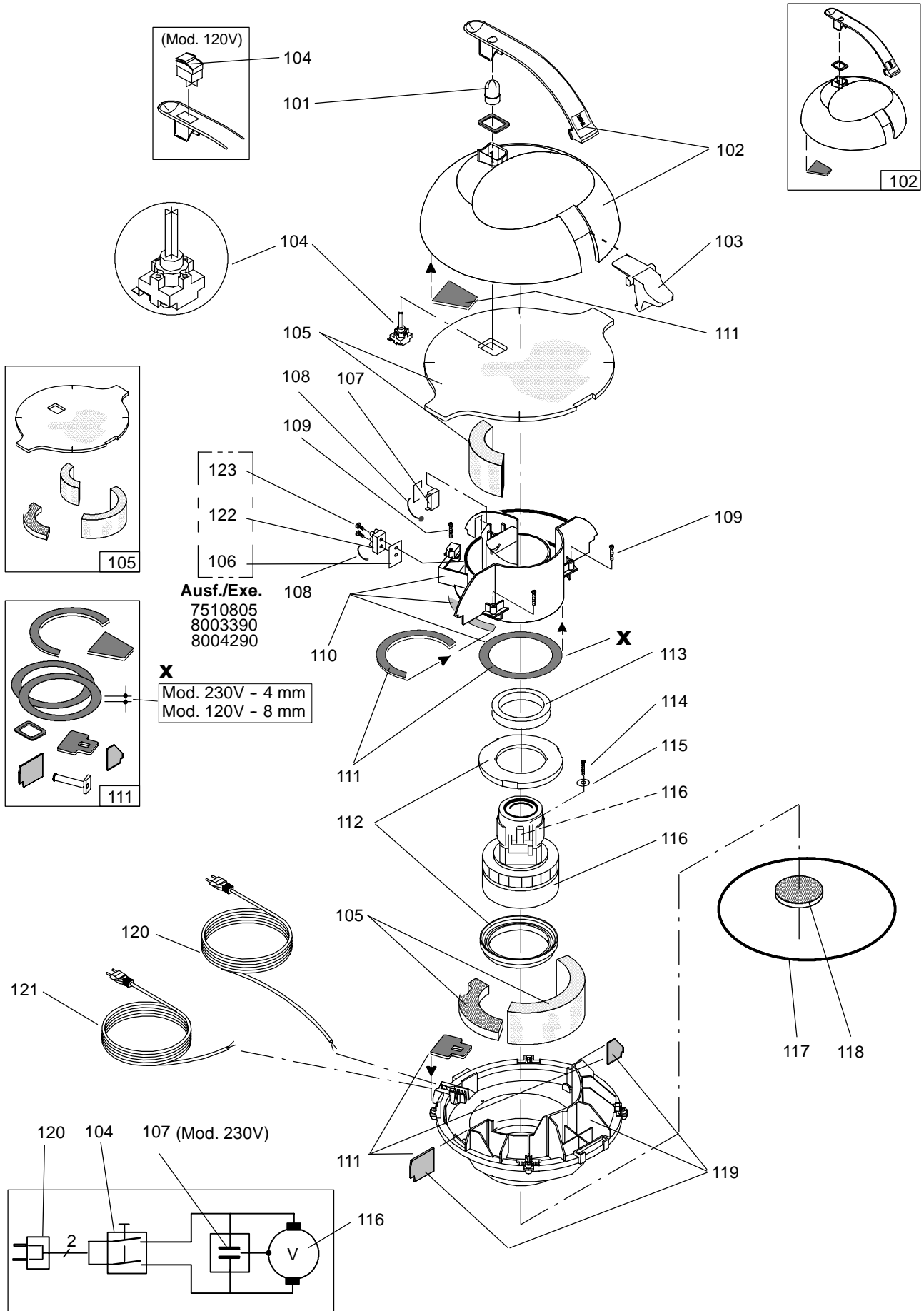
Ausführung/Execution; List(e) /3  
12.08.2002 SPS

S001308					TASKI vacuumat 12,22,22T	TASKI vacuumat 12,22,22T	TASKI vacuumat 12,22,22T
Pos. No.	Artikelnr. Article No. Item No.	Bestellnr. No. de com Order No.	Model	Stck. Piè. Qty.	Bezeichnung	Designation	Description
1	S001297			1.00	Saugeroberteil	Saugeroberteil	Saugeroberteil
2	S001303			1.00	Kessel	Cuve	Tank
3	S001306			1.00	Fahrgestell	Chariot	Cart
4	S001307			1.00	Düse	Suceur	Squeegee

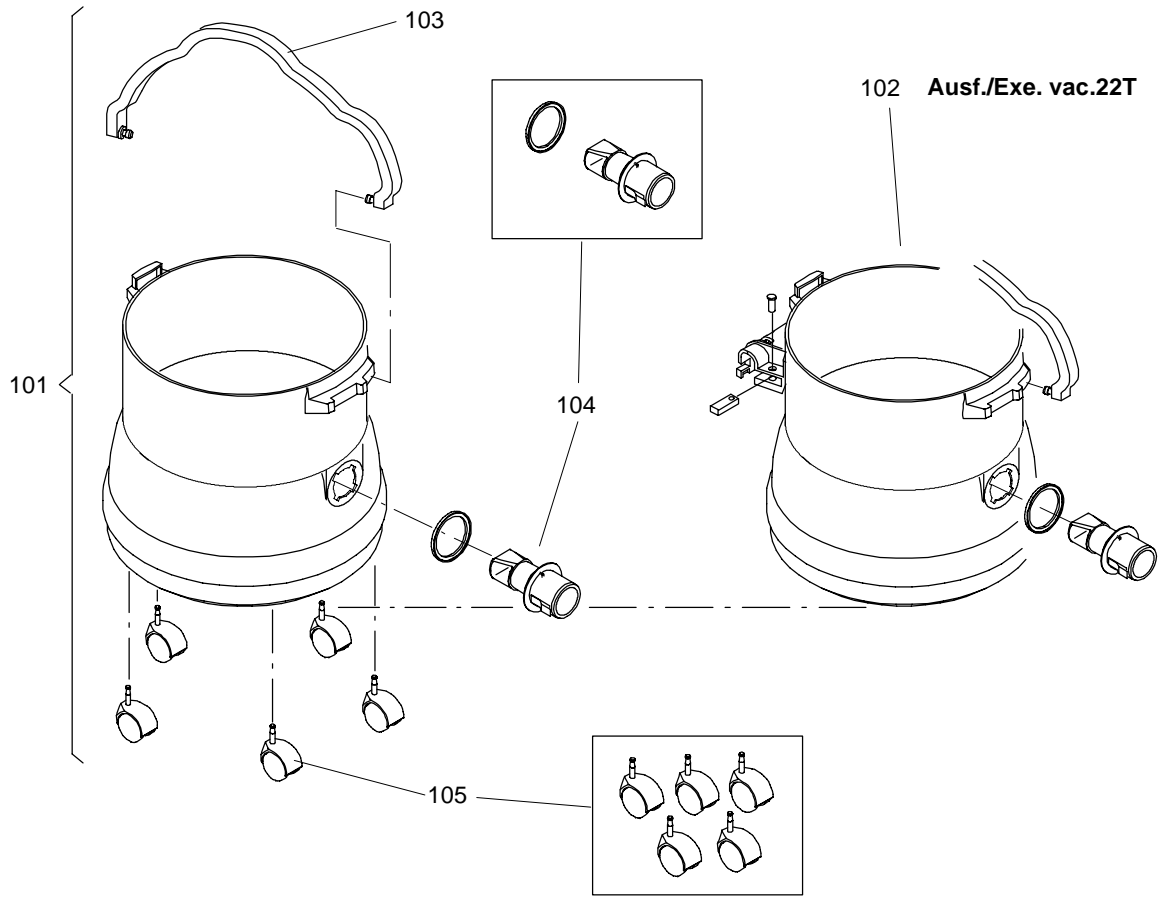
S001297					Saugeroberteil	Saugeroberteil	Saugeroberteil
Pos. No.	Artikelnr. Article No. Item No.	Bestellnr. No. de com Order No.	Model	Stck. Piè. Qty.	Bezeichnung	Designation	Description
101	30014-63	4093050	8003370	1.00	DRUECKER	BOUTON-POUSSOIR	PUSH BUTTON
101	30014-63	4093050	8003380	1.00	DRUECKER	BOUTON-POUSSOIR	PUSH BUTTON
101	30014-63	4093050	8004110	1.00	DRUECKER	BOUTON-POUSSOIR	PUSH BUTTON
101	30014-63	4093050	8004260	1.00	DRUECKER	BOUTON-POUSSOIR	PUSH BUTTON
101	30014-63	4093050	8004270	1.00	DRUECKER	BOUTON-POUSSOIR	PUSH BUTTON
101	30014-63	4093050	8004550	1.00	DRUECKER	BOUTON-POUSSOIR	PUSH BUTTON
101	30014-63	4093050	8004560	1.00	DRUECKER	BOUTON-POUSSOIR	PUSH BUTTON
101	30014-63	4093050	8004561	1.00	DRUECKER	BOUTON-POUSSOIR	PUSH BUTTON
101	30014-63	4093050	8004570	1.00	DRUECKER	BOUTON-POUSSOIR	PUSH BUTTON
102	30015-70	4103360	8003370	1.00	HAUBE KOMPL. VACUMAT 12	COIFFE COMPL. VACUMAT 12	CAP COMPL. VACUMAT 12
102	30015-70	4103360	8003380	1.00	HAUBE KOMPL. VACUMAT 12	COIFFE COMPL. VACUMAT 12	CAP COMPL. VACUMAT 12
102	30015-70	4103360	8004110	1.00	HAUBE KOMPL. VACUMAT 12	COIFFE COMPL. VACUMAT 12	CAP COMPL. VACUMAT 12
102	30015-70	4103360	8004260	1.00	HAUBE KOMPL. VACUMAT 12	COIFFE COMPL. VACUMAT 12	CAP COMPL. VACUMAT 12
102	30015-70	4103360	8004270	1.00	HAUBE KOMPL. VACUMAT 12	COIFFE COMPL. VACUMAT 12	CAP COMPL. VACUMAT 12
102	30015-70	4103360	8004550	1.00	HAUBE KOMPL. VACUMAT 12	COIFFE COMPL. VACUMAT 12	CAP COMPL. VACUMAT 12
102	30015-70	4103360	8004560	1.00	HAUBE KOMPL. VACUMAT 12	COIFFE COMPL. VACUMAT 12	CAP COMPL. VACUMAT 12
102	30015-70	4103360	8004561	1.00	HAUBE KOMPL. VACUMAT 12	COIFFE COMPL. VACUMAT 12	CAP COMPL. VACUMAT 12
102	30015-70	4103360	8004570	1.00	HAUBE KOMPL. VACUMAT 12	COIFFE COMPL. VACUMAT 12	CAP COMPL. VACUMAT 12
102	30015-77	4118070	7510805	1.00	HAUBE VAC. 12/22 KOMPL. CSA	COIFFE VAC. 12/22 COMPL. CSA	CAP VACUMAT 12/22 COMPL. CSA
102	30015-77	4118070	8003390	1.00	HAUBE VAC. 12/22 KOMPL. CSA	COIFFE VAC. 12/22 COMPL. CSA	CAP VACUMAT 12/22 COMPL. CSA
102	30015-77	4118070	8004290	1.00	HAUBE VAC. 12/22 KOMPL. CSA	COIFFE VAC. 12/22 COMPL. CSA	CAP VACUMAT 12/22 COMPL. CSA
103	30014-09	4089060		1.00	VERSCHLUSSGRIFF	VERROUILLAGE	SNAP HANDLE
104	4503/100	4093110	8003370	1.00	DRUCKSCHALTER	INTERRUPTEUR	SWITCH
104	4503/100	4093110	8003380	1.00	DRUCKSCHALTER	INTERRUPTEUR	SWITCH
104	4503/100	4093110	8004110	1.00	DRUCKSCHALTER	INTERRUPTEUR	SWITCH
104	4503/100	4093110	8004260	1.00	DRUCKSCHALTER	INTERRUPTEUR	SWITCH
104	4503/100	4093110	8004270	1.00	DRUCKSCHALTER	INTERRUPTEUR	SWITCH
104	4503/100	4093110	8004550	1.00	DRUCKSCHALTER	INTERRUPTEUR	SWITCH
104	4503/100	4093110	8004560	1.00	DRUCKSCHALTER	INTERRUPTEUR	SWITCH
104	4503/100	4093110	8004561	1.00	DRUCKSCHALTER	INTERRUPTEUR	SWITCH
104	4503/100	4093110	8004570	1.00	DRUCKSCHALTER	INTERRUPTEUR	SWITCH
104	4503/103	4107050	7510805	1.00	DRUCKSCHALTER	INTERRUPTEUR	SWITCH
104	4503/103	4107050	8003390	1.00	DRUCKSCHALTER	INTERRUPTEUR	SWITCH
104	4503/103	4107050	8004290	1.00	DRUCKSCHALTER	INTERRUPTEUR	SWITCH
105	30015-71	4103340		1.00	SET DAEMPFUNG	KIT ISOLATION PHONIQUE	NOISE ABSORBING SET
106	17413-01		7510805	1.00	KLEMMENSCHILD	PLAQUETTE	LABEL
106	17413-01		8003390	1.00	KLEMMENSCHILD	PLAQUETTE	LABEL
106	17413-01		8004290	1.00	KLEMMENSCHILD	PLAQUETTE	LABEL
107	4813/100	4094730	8003370	1.00	ENTSTOERKONDENSATOR 0,75 UF	CONDENSATEUR D.DEPARASIT.0,75	NOISE SUPP.CONDENSER 0,75 UF
107	4813/100	4094730	8003380	1.00	ENTSTOERKONDENSATOR 0,75 UF	CONDENSATEUR D.DEPARASIT.0,75	NOISE SUPP.CONDENSER 0,75 UF
107	4813/100	4094730	8004110	1.00	ENTSTOERKONDENSATOR 0,75 UF	CONDENSATEUR D.DEPARASIT.0,75	NOISE SUPP.CONDENSER 0,75 UF
107	4813/100	4094730	8004260	1.00	ENTSTOERKONDENSATOR 0,75 UF	CONDENSATEUR D.DEPARASIT.0,75	NOISE SUPP.CONDENSER 0,75 UF
107	4813/100	4094730	8004270	1.00	ENTSTOERKONDENSATOR 0,75 UF	CONDENSATEUR D.DEPARASIT.0,75	NOISE SUPP.CONDENSER 0,75 UF
107	4813/100	4094730	8004550	1.00	ENTSTOERKONDENSATOR 0,75 UF	CONDENSATEUR D.DEPARASIT.0,75	NOISE SUPP.CONDENSER 0,75 UF
107	4813/100	4094730	8004560	1.00	ENTSTOERKONDENSATOR 0,75 UF	CONDENSATEUR D.DEPARASIT.0,75	NOISE SUPP.CONDENSER 0,75 UF
107	4813/100	4094730	8004561	1.00	ENTSTOERKONDENSATOR 0,75 UF	CONDENSATEUR D.DEPARASIT.0,75	NOISE SUPP.CONDENSER 0,75 UF
107	4813/100	4094730	8004570	1.00	ENTSTOERKONDENSATOR 0,75 UF	CONDENSATEUR D.DEPARASIT.0,75	NOISE SUPP.CONDENSER 0,75 UF
108	4215/3	4023260		1.00	KABELBINDER 185 MM	BANDE A LIER LES CABLES 185MM	CABLE TIE 185 MM
108	4215/116	4065440		1.00	KABELBINDER 85 MM	BANDE A LIER LES CABLES 85 MM	CABLE TIE 85 MM
109	1840/014	4088930		4.00	PT-SCHRAUBE KA 50X30	VIS POUR PLASTIQUE KA 50X30	SCREW FOR PLASTIC KA 50X30

S001297					Saugeroberteil	Saugeroberteil	Saugeroberteil
Pos. No.	Artikelnr. Article No. Item No.	Bestellnr. No. de com Order No.	Model	Stck. Piè. Qty.	Bezeichnung	Designation	Description
110	30015-72	4103440		1.00	MOTORFUEHRUNG KOMPL.	GUIDAGE DE MOTEUR COMPL.	MOTOR GUIDING COMPL.
111	30015-73	4103430		1.00	DICHTUNG SET	KIT JOINT	GASKET SET
112	30015-74	4103420		1.00	DICHTRING SET	KIT JOINT	GASKET SET
113	30015-13	4103350	8003370	1.00	DICHTUNG	JOINT	GASKET
113	30015-13	4103350	8003380	1.00	DICHTUNG	JOINT	GASKET
113	30015-13	4103350	8004110	1.00	DICHTUNG	JOINT	GASKET
113	30015-13	4103350	8004260	1.00	DICHTUNG	JOINT	GASKET
113	30015-13	4103350	8004270	1.00	DICHTUNG	JOINT	GASKET
113	30015-13	4103350	8004550	1.00	DICHTUNG	JOINT	GASKET
113	30015-13	4103350	8004560	1.00	DICHTUNG	JOINT	GASKET
113	30015-13	4103350	8004561	1.00	DICHTUNG	JOINT	GASKET
113	30015-13	4103350	8004570	1.00	DICHTUNG	JOINT	GASKET
113	30015-63	4122269	7510805	1.00	DICHTRING	JOINT	GASKET
113	30015-63	4122269	8003390	1.00	DICHTRING	JOINT	GASKET
113	30015-63	4122269	8004290	1.00	DICHTRING	JOINT	GASKET
114	1040/199	4088920	120V	1.00	SECHSKANTSCHRAUBE 10-32 UNF	JOINT A TETE SIX PANS 10-32	HEXAGON SCREW 10-32 UNF
115	1771/55	4007660	7510805	1.00	FAECHERSCHEIBE 5,3	RONDELLE ETOILE 5,3	SERRATED LOCK WASHER 5,3
115	1771/55	4007660	8003390	1.00	FAECHERSCHEIBE 5,3	RONDELLE ETOILE 5,3	SERRATED LOCK WASHER 5,3
115	1771/55	4007660	8004290	1.00	FAECHERSCHEIBE 5,3	RONDELLE ETOILE 5,3	SERRATED LOCK WASHER 5,3
116	4677/230	4122241	8003370	1.00	MOTORTURBINE 230 V	TURBINE 230 V	VACUUM MOTOR 230 V
116	4677/230	4122241	8003380	1.00	MOTORTURBINE 230 V	TURBINE 230 V	VACUUM MOTOR 230 V
116	4677/230	4122241	8004110	1.00	MOTORTURBINE 230 V	TURBINE 230 V	VACUUM MOTOR 230 V
116	4677/230	4122241	8004260	1.00	MOTORTURBINE 230 V	TURBINE 230 V	VACUUM MOTOR 230 V
116	4677/230	4122241	8004270	1.00	MOTORTURBINE 230 V	TURBINE 230 V	VACUUM MOTOR 230 V
116	4677/230	4122241	8004550	1.00	MOTORTURBINE 230 V	TURBINE 230 V	VACUUM MOTOR 230 V
116	4677/230	4122241	8004560	1.00	MOTORTURBINE 230 V	TURBINE 230 V	VACUUM MOTOR 230 V
116	4677/230	4122241	8004561	1.00	MOTORTURBINE 230 V	TURBINE 230 V	VACUUM MOTOR 230 V
116	4677/230	4122241	8004570	1.00	MOTORTURBINE 230 V	TURBINE 230 V	VACUUM MOTOR 230 V
116	4677/228	4107040	7510805	1.00	MOTORTURBINE 120V/60HZ	TURBINE 120V/60HZ	VACUUM MOTOR 120V/60HZ
116	4677/228	4107040	8003390	1.00	MOTORTURBINE 120V/60HZ	TURBINE 120V/60HZ	VACUUM MOTOR 120V/60HZ
116	4677/228	4107040	8004290	1.00	MOTORTURBINE 120V/60HZ	TURBINE 120V/60HZ	VACUUM MOTOR 120V/60HZ
116	4700/118	4103490	8003370	1.00	KOHLEBUERSTE	BALAI CHARBON	CARBON BRUSH
116	4700/118	4103490	8003380	1.00	KOHLEBUERSTE	BALAI CHARBON	CARBON BRUSH
116	4700/118	4103490	8004110	1.00	KOHLEBUERSTE	BALAI CHARBON	CARBON BRUSH
116	4700/118	4103490	8004260	1.00	KOHLEBUERSTE	BALAI CHARBON	CARBON BRUSH
116	4700/118	4103490	8004270	1.00	KOHLEBUERSTE	BALAI CHARBON	CARBON BRUSH
116	4700/118	4103490	8004550	1.00	KOHLEBUERSTE	BALAI CHARBON	CARBON BRUSH
116	4700/118	4103490	8004560	1.00	KOHLEBUERSTE	BALAI CHARBON	CARBON BRUSH
116	4700/118	4103490	8004561	1.00	KOHLEBUERSTE	BALAI CHARBON	CARBON BRUSH
116	4700/118	4103490	8004570	1.00	KOHLEBUERSTE	BALAI CHARBON	CARBON BRUSH
116	4700/121	4109020	7510805	1.00	KOHLEBUERSTE	BALAI CHARBON	CARBON BRUSH
116	4700/121	4109020	8003390	1.00	KOHLEBUERSTE	BALAI CHARBON	CARBON BRUSH
116	4700/121	4109020	8004290	1.00	KOHLEBUERSTE	BALAI CHARBON	CARBON BRUSH
117	30014-12	4089070		1.00	DECKELDICHTUNG	JOINT DU BATI	BASE GASKET
118	30014-61	4091150		1.00	FILTERSCHEIBE (SET, 10 STCK.)	DISQUE FILTRAGE (KIT, 10 P.)	FILTER DISC (SET, 10 PARTS)
119	30015-75	4103410		1.00	MOTORGEHAEUSE KOMPL.	BATI DE MOTEUR COMPL.	MOTOR HOUSING COMPL.
120	33102-01	4057970	8003370	1.00	NETZKABEL 2P, SEV 10 M	CABLE D'ALIMENT. 2P, ASE 10 M	MAIN CORD 2P, SEV 10 M
120	33102-01	4057970	8004260	1.00	NETZKABEL 2P, SEV 10 M	CABLE D'ALIMENT. 2P, ASE 10 M	MAIN CORD 2P, SEV 10 M
120	33103-02	4015930	8003380	1.00	NETZKABEL 2P, SCHUKO 10,5M	CABLE D'ALIM. 2P,SCHUKO 10,5M	MAIN CORD 2P, SCHUKO 10,5M
120	33103-02	4015930	8004270	1.00	NETZKABEL 2P, SCHUKO 10,5M	CABLE D'ALIM. 2P,SCHUKO 10,5M	MAIN CORD 2P, SCHUKO 10,5M

S001297					Saugeroberteil	Saugeroberteil	Saugeroberteil
Pos. No.	Artikelnr. Article No. Item No.	Bestellnr. No. de com Order No.	Model	Stck. Piè. Qty.	Bezeichnung	Designation	Description
120	33105-05	4062790	8004110	1.00	NETZKABEL 2P, 240V 10M	CABLE D'ALIM. 2P, 240V 10M	MAIN CORD 2P, 240V 10M
120	30015-59	4122478	8003390	1.00	NETZKABEL 2P+E, 120V	CABLE D'ALIMENTATION 120V	MAIN CORD, 2L+P, 120V
120	30015-59	4122478	8004290	1.00	NETZKABEL 2P+E, 120V	CABLE D'ALIMENTATION 120V	MAIN CORD, 2L+P, 120V
120	30015-59	4122478	7510805	1.00	NETZKABEL 2P+E, 120V	CABLE D'ALIMENTATION 120V	MAIN CORD, 2L+P, 120V
121	30013-13	4101660	8004550	1.00	NETZKABEL SEV	CABLE D'ALIMENTATION SEV	MAIN CORD SEV
121	30013-15	4101670	8004560	1.00	NETZKABEL EURO	CABLE D'ALIMENTATION EURO	MAIN CORD EURO
121	30013-15	4101670	8004561	1.00	NETZKABEL EURO	CABLE D'ALIMENTATION EURO	MAIN CORD EURO
121	14602-36		8004570	1.00	NETZKABEL 2L UK	CABLE D'ALIMENTATION 2L UK	MAIN CORD 2L UK
122	4016/203	4047410		1.00	KLEMMENLEISTE 3-POLIG	SERRE-FILS 3-POLES	CONNECTION BLOCK 3-WAYS
123	1861/8	4019810		2.00	ZYL-KERBSCHRAUBE 2,9X16	VIS TERAUD. AVEC RAIN. 2,9X16	NOTCHED SELF TAP.SCREW 2,9X16

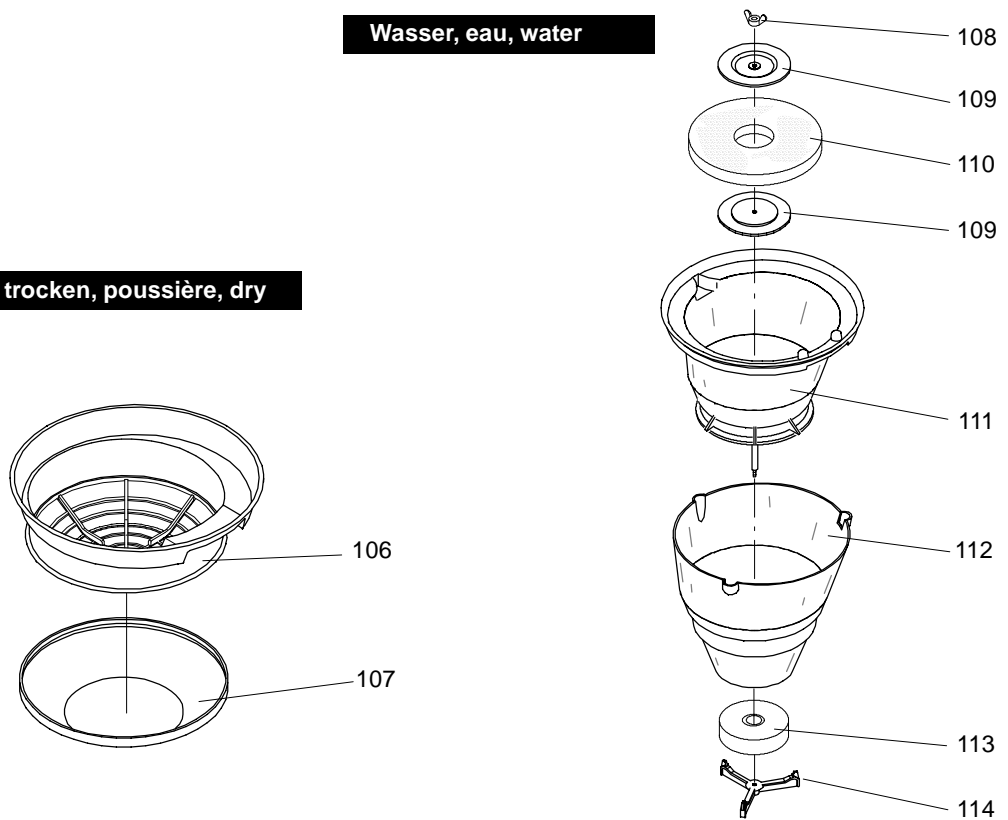


S001303					Kessel	Cuve	Tank
Pos. No.	Artikelnr. Article No. Item No.	Bestellnr. No. de com Order No.	Model	Stck. Piè. Qty.	Bezeichnung	Designation	Description
101	30015-22	4103450		1.00	KESSEL KOMPL. VACUMAT 12	CUVE COMPL. VACUMAT 12	TANK COMPL. VACUMAT 12
101	30015-86	4107030		1.00	KESSEL KOMPL. VACUMAT 22	CUVE COMPL. VACUMAT 22	TANK COMPL. VACUMAT 22
102	30015-87	4116880		1.00	KESSEL COMPL. VACUMAT 22T	CUVE COMPL. VACUMAT 22T	TANK COMPL. VACUMAT 22T
103	30015-08	4103330		1.00	TRAGBUEGEL	POIGNEE	HANDLE
104	30015-76	4103400		1.00	SET STUTZEN MIT DICHTUNG	KIT MANCHON SUPPORT D'ASP.	HOSE SOCKET, GASKET SET
105	30016-21	4095900		1.00	SET LENKROLLE	KIT ROULETTE PIVOTANTE	MOVING CASTOR SET
106	30015-32	4103280		1.00	FILTERKORB	GRILL POUR SAC A POUSSIERE	DUST BAG BASKET
107	30014-20	4089080		1.00	FILTERTUCH	FILTRE COTON	FILTER CLOTH
108	1683/5	4007310		1.00	FLUEGELMUTTER M 6	ECROU A OREILLES M 6	WING NUT M 6
109	30015-44	4103320		2.00	NIEDERHALTER	FIXATION	BRACKET
110	32015-4	4004500		1.00	FILTER	FILTRE	FILTER
111	30015-40	4103310		1.00	SCHWIMMERGEHAEUSE	BRISE-VAGUE	FLOAT HOUSING
112	30015-39	4103300		1.00	GEHAEUSE	BATI	HOUSING
113	32024	4004610		1.00	SCHWIMMERKOERPER MIT BUECHSE	FLOTTEUR AVEC DOUILLE	FLOAT WITH BUSH
114	30015-38	4103290		1.00	DREHSTERN	FIXATION	FASTENER



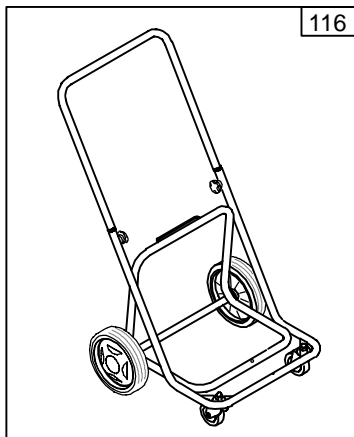
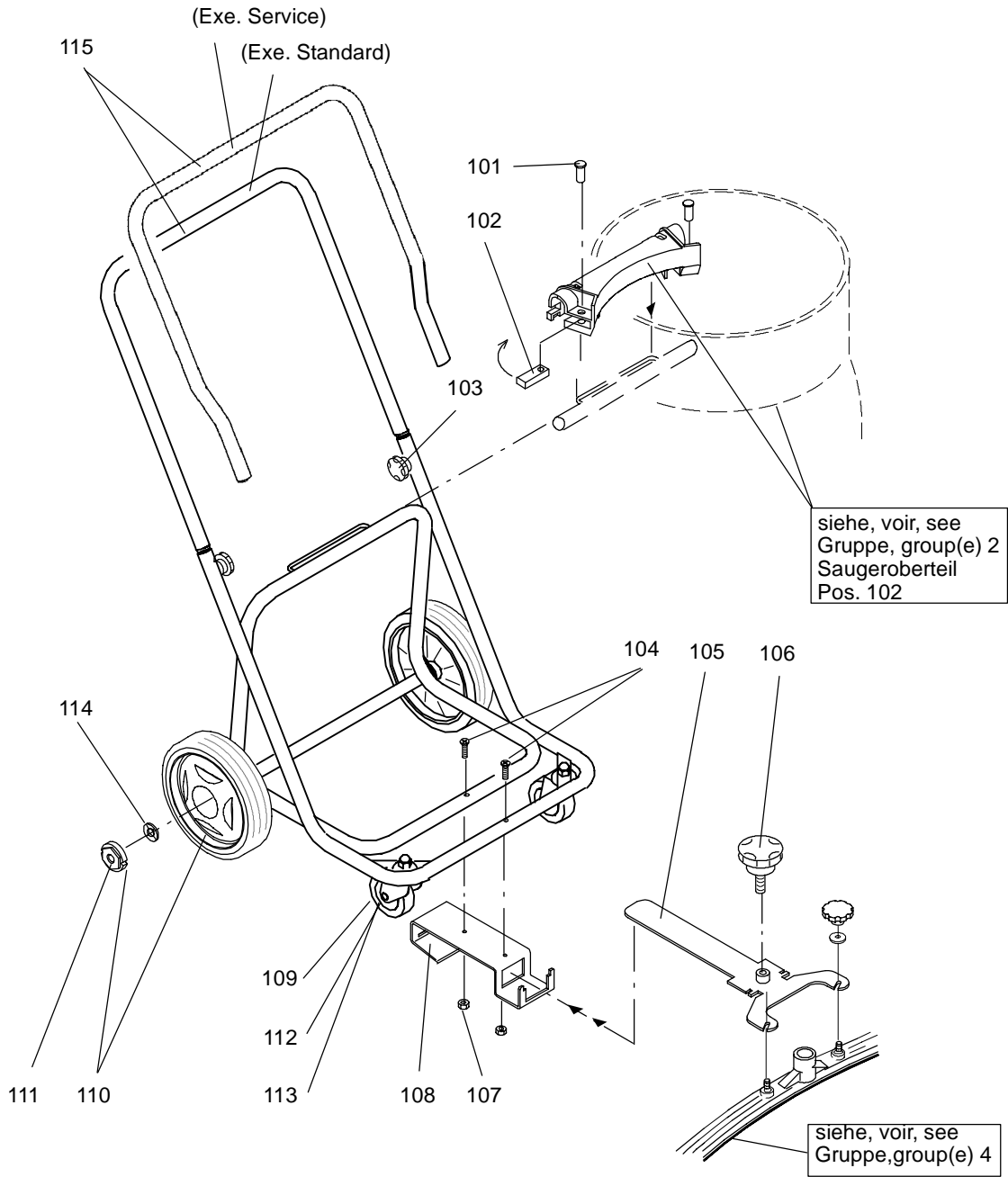
**Wasser, eau, water**

**trocken, poussière, dry**





S001306					Fahrgestell	Chariot	Cart
Pos. No.	Artikelnr. Article No. Item No.	Bestellnr. No. de com Order No.	Model	Stck. Piè. Qty.	Bezeichnung	Designation	Description
101	30015-96	4116680		2.00	BOLZEN	GOUJON	BOLT
102	30015-95	4116690		2.00	HEBEL	LEVIER	LEVER
103	2434/113	4077860		2.00	STERNSCHRAUBE M 6	VIS ETOILE M 6	STAR SCREW M 6
104	60917-59	4067970		2.00	SENKSCHRAUBE M 6	VIS A TETE CONIQUE M 6	COUNTERS. HD.CAP SCREW M 6
105	30015-94	4114870		1.00	HALTER	PORTE-SUCEUR	SQUEEGEE BRACKET
106	30603-15	4003790		1.00	VERSTELLSCHRAUBE	VIS DE REGLAGE	REGULATING SCREW
107	1721/106	4092870		2.00	SICHERUNGSMUTTER M 6	ECROU DE SURETE M 6	SELF-LOCKING NUT M 6
108	30015-81	4114880		1.00	BEFESTIGUNG	SUPPORT	BRACKET
109	2036/104	4081170		2.00	LENKROLLE 75	ROULETTE PIVOTANTE 75	CASTOR 75
110	30011-19	4095100		2.00	RAD 200 MM	ROUE 200 MM	WHEEL 200 MM
111	3395/060	4104710		2.00	DECKEL	COUVERCLE	CAP
112	1675/105	4088840		2.00	HUTMUTTER M 10	ECROU BORGNE HAUT M 10	CAP NUT M 10
113	1752/16	4027970		2.00	UNTERLAGSCHEIBE 10,5/21	RONDELLE 10,5/21	WASHER 10,5/21
114	2904/041	4121938		2.00	HALTERING D 20	ANNEAU DE RETENUE D 20	STAR DISC D 20
115	30015-99	4117950		1.00	STOSSBUEGEL 22T/44T	ETRIER 22T/44T	HOOP 22T/44T
116	30015-97	4117980		1.00	FAHRGESTELL 22T	CHARIOT 22T	CART 22T



S001307					Düse	Suceur	Squeegee
Pos. No.	Artikelnr. Article No. Item No.	Bestellnr. No. de com Order No.	Model	Stck. Piè. Qty.	Bezeichnung	Designation	Description
101	33160-08	4061230		1.00	SCHLAUCHSTUTZEN	MANCHON DE TUYAU	HOSE SOCKET
102	3241/111	4060820		0.42	SAUGSCHLAUCH NW 32 PER METER	TUYAU 32 LE METRE	HOSE 32 PER METER
103	19000-90	4053090		1.00	MUFFE	MANCHON FILETE	THREADED ADAPTOR
104	2433/101	4088430		2.00	STERNGRIF M 6	BOUTON ETOILE M 6	STAR KNOB M 6
105	80102-9	4005560		2.00	UNTERLAGSCHEIBE	RONDELLE	WASHER
106	17585-54	4105240		1.00	CLIPS SET (10 CLIPS)	KIT CLIPS (10 CLIPS)	CLIPS SET (10 CLIPS)
107	3061/202	4121961		2.00	SCHUTZSTOPFEN 7	BOUCHON 7	STOPPLE 7
108	12200-13	4111540		2.00	LAMELLE CO 500,600 GRUEN	LAMELLE CO 500,600 VERT	BLADE CO 500,600 GREEN
109	19512-34	4093600		2.00	KLEMMTEIL KOMPL.	COIN DE SERRAGE COMPL.	CLAMPING KEY COMPL.
110	30019-13	4119990	8004550	1.00	DUESE 22T/44T	SUCEUR 22T/44T	SQUEEGEE 22T/44T
110	30019-13	4119990	8004560	1.00	DUESE 22T/44T	SUCEUR 22T/44T	SQUEEGEE 22T/44T
110	30019-13	4119990	8004570	1.00	DUESE 22T/44T	SUCEUR 22T/44T	SQUEEGEE 22T/44T
110	30019-13	4119990	8004561	1.00	DUESE 22T/44T	SUCEUR 22T/44T	SQUEEGEE 22T/44T

